








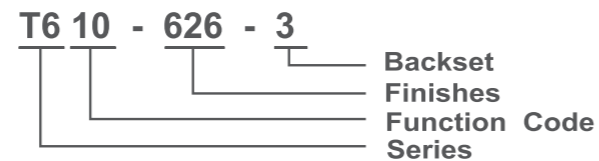
T6 Series

FUNCTIONS

| Function Code Number | Illustration | Operations | ANSI Number |
|-----------------------|---|--|-------------|
| Single Cylinder (10) |  | Dead bolt operated by key from outside and by turn from inside. | E2151 |
| Double Cylinder (12) |  | Dead bolt operated by key from either side. | E2141 |
| Classroom (03) |  | Dead bolt operated by key from outside. Turn retracts dead bolt but does not project it. | E2171 |
| Thumbturn (40) |  | Dead bolt operated by turn from inside. No trim on other side. | E2191 |
| Cylinder Only (50) |  | Dead bolt operated by key from one side. No trim on other side. | E2101 |
| One-Way Deadbolt (51) |  | Dead bolt operated by key from one side. Mounting plate on other side. | E2161 |
| Closet (60) |  | Dead bolt operated by turn from inside. Blank plate on other side. | E2111 |

HOW TO ORDER

EXAMPLE: T610-626-3



| T6 | 10 | 626 | 3 |
|-------------------------------------|---------------|----------------------------------|--|
| Series | Function Code | Finishes | Backset |
| T6 Series (STD) IT6 Series (I/C) | See above | 605, 606 612, 613 625, 626 | 2 : 2 3/8" (60mm) 3 : 2 3/4" (70mm) |

I-Tek Metal Manufacturing Co., Ltd.

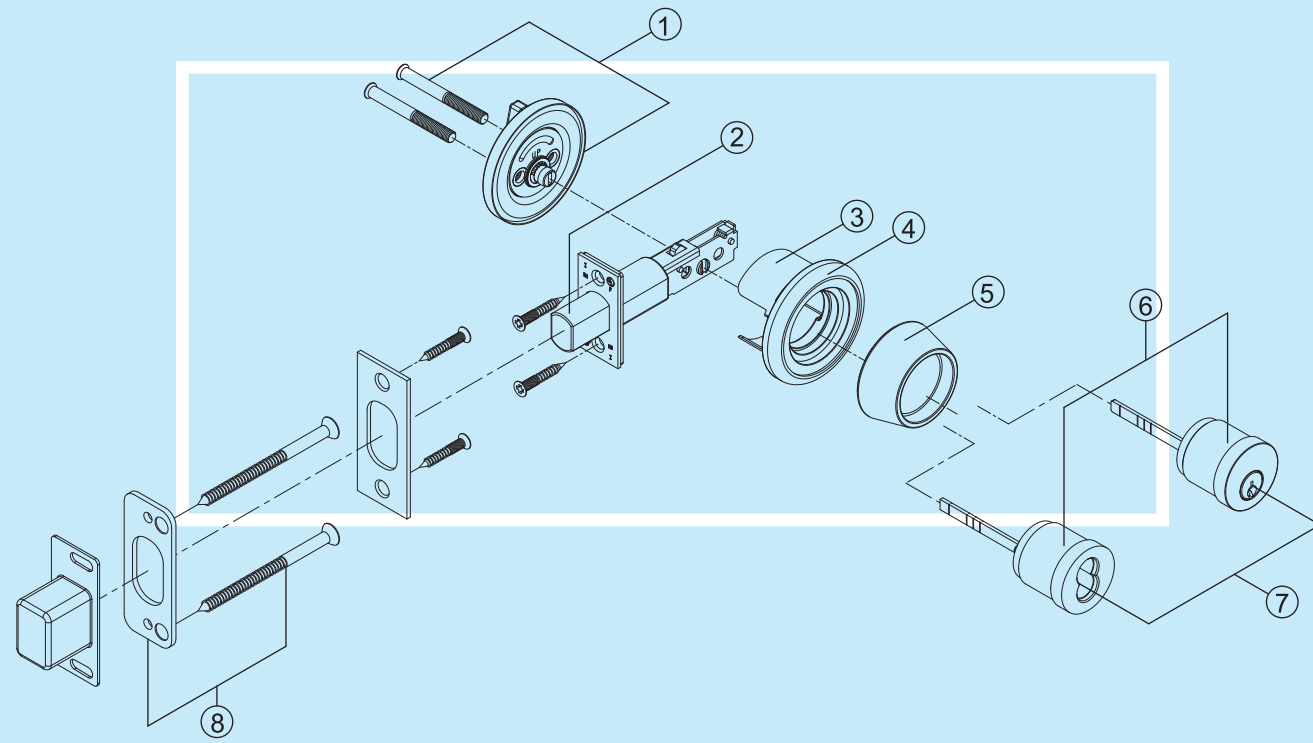
18 Gungye 3rd Road, Annan, Tainan 709, Taiwan
 Tel: 886-6-384-0722
 Fax: 886-6-384-0715
 E-mail: iteklock@ms8.hinet.net

I-TEK[®]
 Architectural
 Locks & Hardware

T6 Series ANSI Grade 1 Extra Heavy Duty Tubular Deadbolts



Grade 1 T6 Series Extra Heavy Duty Tubular Deadbolts



FEATURES

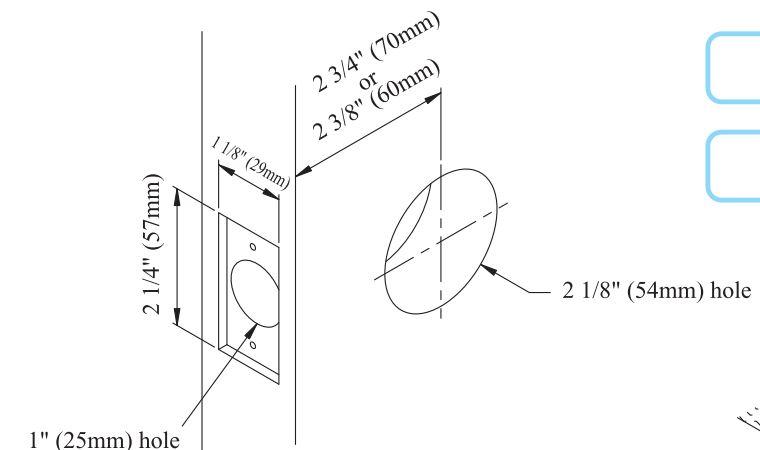
- ① Reinforced turn knob assembly and 1/4" (6.30mm) through-bolts added strength.
- ② 1" (25mm) Throw high strength, stainless steel deadbolt resists sawing and kick-in attacks.
- ③ Trim ring with protective sleeve protects the lock from attack through the door.
- ④ Exclusive design trim ring protects the lock from vertical attacks.
- ⑤ Free spinning solid brass cylinder collar resists wrenching or prying of the cylinder unit.
- ⑥ High-strength steel cylinder housing for added protection and durability. No exposed mounting screws on double cylinder function.
- ⑦ Cylinder housing accepts most manufacturers' cylinder.
- ⑧ Heavy duty steel support plate with 3" (76mm) wood screws strengthen the wood jamb against "kick-in" attack and greatly enhance the security effectiveness of the lock.



SPECIFICATIONS

| | |
|-----------------------------|---|
| Certifications | UL listed for "A" label (3 hour) single swinging door (4'x8'). ANSI/BHMA A156.5, Grade 1. |
| Exposed Trim | Solid brass. Cylinder ring and thumbturn are pressure die-cast, plated to match finished indicated. |
| Backset | 2 3/4" (70mm) Standard, 2 3/8" (60mm) optional. |
| Through bolt | Supplied with two 1/4" (6.30mm) steel through bolts. |
| Deadbolt | 1" (25mm) Throw, made from high strength stainless steel. |
| Faceplate | 1 1/8" x 2 1/4" (29mm x 57mm) Standard; 1" x 1 1/4" (25mm x 32mm) optional. Self adjustable for beveled door. |
| Strike | Square corner, 1 1/8" x 2 3/4" (29mm x 70mm), no lip, furnished with dust box and door frame support plate. |
| Door range | 1 3/8" to 2" (35mm to 51mm) Standard, available to 2 1/2" (64mm) upon specified. |
| Cylinder | Solid brass, "C" keyway, 6-pins. Supplied with two nickel silver keys. |
| Interchangeable core | Accepts 6 or 7 pin Best® or Falcon® type interchangeable core. |
| Finishes | 605, 606, 612, 613, 625 and 626. |

Door Preparation



Door Frame Support Plate

Each T6 Series is standard supplied with a heavy duty steel support plate and two 3" wood screws to strengthen the wood jamb against "kick-in" attack and enhance the security effectiveness of the lock.

