

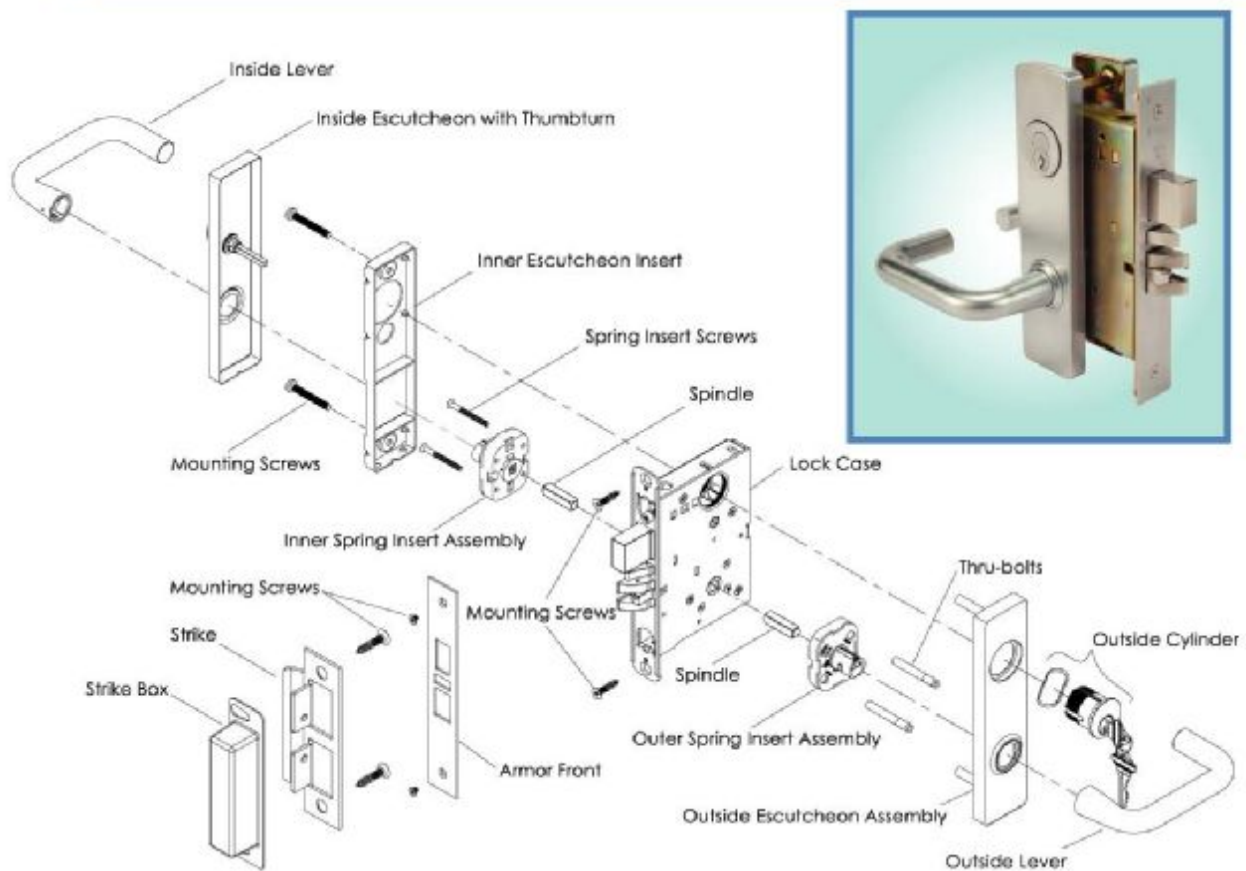
M Series

ANSI Grade 1

Heavy Duty Mortise Lock



FEATURES



M Series is a heavy duty commercial mortise lock, all bolts are made of stainless steel, most working parts inside the case are made of high strength steel alloy. It is UL listed for 3-Hour fire rating, it also meets or exceeds the ANSI A156.13 Grade 1 specification.

The lock case has a dimension of 3 5/8" (92mm) center cylinder to spindle, which enable the lock to retrofit most of manufacturers' mortise lock, without or with a little modification to the drill hole of door, offering like for like replacement capabilities.

The lock case is non-handed, reversibility without disassembling the lock case allowing for a full compliment of functions. A single lock case for all trims allows excellent trim design combination flexibilities.

Extra ordinary feature of this lock is the lever or knob retained by lever/knob keeper. Material of lever can be optional for either forged solid brass or lower cost pressure zinc cast; rose and escutcheon are snap-on. Steps of installation are minimal, fast and easy as a cylindrical lock.

SPECIFICATIONS

Applications	For commercial and institutional buildings where the finest mortise locks are required.
Certifications	ANSI A156.13 Series 1000, Grade 1 operational and security. UL Listed for 3-Hour fire rating.
Case Size	4 5/16" x 6" x 1" (110 mm x 152 mm x 25 mm).
Armor Front	1 1/4" x 8" x 7/32" (32 mm x 203 mm x 5 mm) Standard, 1 1/16" x 8" x 7/32" (27 mm x 203 mm x 5 mm) optional.
Backset	2 3/4" (70 mm) only.
Door Preparation	Conforms to ANSI A115.1.
Door Range	1 3/8" (35mm) to 2 1/2" (64 mm) Steel door, 1 3/4" (45mm) to 2 1/2" (64mm) wood door.
Beveled Doors	Self-adjusting case.
Spacing	3 5/8" (92 mm) Center cylinder to spindle. 2 7/16" (62 mm) Center thumbturn to spindle.
Deadbolt	1" (25 mm) Throw, stainless steel.
Latchbolt	3/4" (19 mm) Throw, with anti-friction tongue, all stainless steel.
Deadlocking Bar	Non-handed, stainless steel.
Case Handing	Field reversible without removing case.
Through Bolts	Through-bolted trim self-align with lock case.
Stopworks	Incorporated into thumbturn.
Strike	Curved lip non-handed. Custom lip lengths at 1/8" (3 mm) increments available.
Spindles	Breakable to prevent the lock case from unlocking or being damaged.
Cylinder	6-pin cylinder standard, with two nickel silver keys, "C" keyway. Can be masterkeyed or grand masterkeyed, construction key system available.
I/C Core	6 or 7-pin, compatible with Best® and Falcon®
Cylinder Guard	Tapper cylinder guard with tension spring to resist wrenching of cylinder.
Trim Designs	Levers/Knobs forged solid brass or lower cost pressure zinc cast, attached to rose plate/escutcheon. Outside lever/knob cannot be removed from outside. Inside lever/knob can be snapped in place. Return spring in trim to enhance protection against lever droop, providing a firm and positive return of lever to horizontal.
Roses	2 7/16" (62 mm) Diameter, positive friction attachment.
Escutcheons	1 15/16" x 8" (50 mm x 203 mm), positive friction attachment.
Fasteners	Concealed under the rose/escutcheon.
Trim Combinations	Available with lever both sides, knob both sides, or knob x lever with rose or escutcheon both sides.
Finishes	605, 606, 611, 612, 613, 625, 626, 629, 630



Trim Design Variations

MS Model

Sectional
Design



#P1



#B1



#T1



#P2



#B2



#T2



ME Model

Escutcheon
Design



#P3



#B3



#T3



#P4



#B4



#T4



#P5



#B5



#T5



#P6



#B6



#T6



Trim Design Variations

MS Model

Sectional
Design





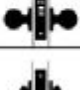
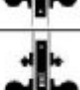






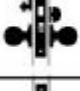
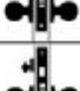
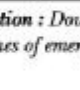

ME Model

Escutcheon
Design








FUNCTIONS

Keyed Locks



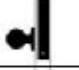

Function Code Number	Illustration	Description	ANSI Number
Without Deadbolt			
9000		Office and Inner Entry Lock Latchbolt retracted by knob/lever from either side unless outside is made inoperative by key outside or by turning inside thumbturn. When outside is locked, latchbolt is retracted by key outside or by knob/lever inside. Outside knob/lever remains locked until thumbturn is returned to vertical or unlocked by key. Auxiliary latch deadlocks latchbolt when door is closed.	F04
9003		Classroom Lock Latchbolt retracted by knob/lever from either side unless outside is locked by key. Unlocked from outside by key. Inside knob/lever always free for immediate exit. Auxiliary latch deadlocks latchbolt when door is closed.	F05
9005		Storeroom Lock Latchbolt retracted by key outside or by knob/lever inside. Outside knob/lever always inoperative. Auxiliary latch deadlocks latchbolt when door is closed.	F07
9006		Apartment Entrance Lock* Latchbolt retracted by knob/lever from either side unless outside is locked by key from inside. When locked, latchbolt retracted by key outside or knob/lever inside. Auxiliary latch deadlocks latchbolt when door is closed.	F09
9009		Institution Lock* Latchbolt retracted by key from either side. Knob/lever on both sides always inoperative. Auxiliary latch deadlocks latchbolt when door is closed.	F30
9033		Classroom Holdback Lock Latchbolt retracted by knob/lever from either side unless outside is locked by key. When locked, latchbolt retracted by key outside or knob/lever inside. Auxiliary latch deadlocks latchbolt when door is closed. Depress inside knob/lever and turn key 360° for holdback feature.	F06
With Deadbolt			
9400		Dormitory/Bedroom Lock Latchbolt retracted by knob/lever from either side. Deadbolt thrown or retracted by key outside or thumbturn inside.	F21
9401		Entrance Lock Latchbolt retracted by knob/lever from either side unless outside is locked by 20° rotation of thumbturn. Deadbolt thrown or retracted by 90° rotation of thumbturn. When locked, key outside or knob/lever inside retracts deadbolt and latchbolt simultaneously. Outside knob/lever remains locked until thumbturn is restored to vertical position. Throwing deadbolt automatically locks outside knob/lever. Auxiliary latch deadlocks latchbolt when door is closed.	F20
9402		Store/Utility Room Lock* Latchbolt retracted by knob/lever from either side. Deadbolt thrown or retracted by key from either side.	F14
9403		Classroom Security Lock* Latchbolt retracted by knob/lever from either side. Deadbolt thrown or retracted by key from either side. Throwing deadbolt locks outside knob/lever. Turning inside knob/lever simultaneously retracts deadbolt and latchbolt and unlocks outside knob/lever.	
9405		Storeroom Lock With Deadbolt Latchbolt retracted by key outside or by lever or knob inside. Outside knob/lever always fixed. Deadbolt thrown or retracted by key outside or thumbturn inside. Turning inside knob/lever simultaneously retracts both deadbolt and latchbolt. Auxiliary latch deadlocks latchbolt when door is closed.	
9408		Corridor Lock Latchbolt retracted by knob/lever from either side. Deadbolt thrown or retracted by key outside or inside thumbturn. Throwing deadbolt locks outside knob/lever. Turning inside knob/lever simultaneously retracts deadbolt and latchbolt and unlocks outside knob/lever.	F13
9409		Institution Lock With Deadbolt* Latchbolt retracted by key from either side. Knob/lever on both sides always inoperative. Deadbolt thrown or retracted by key either side. Auxiliary latch deadlocks latchbolt when door is closed.	
9430		Closet/Storeroom Lock Latchbolt retracted by knob/lever from either side. Deadbolt thrown or retracted by key outside.	

**Caution : Double cylinder locks on residences and any door in any structure which is used for egress are a life safety hazard in times of emergency and their use is not recommended. Installation should be in accordance with existing codes only.*





Non-Keyed Locks

Function Code Number	Illustration	Description	ANSI Number
Without Deadbolt			
9020		Bath/Bedroom Privacy Lock Latchbolt retracted by knob/lever from either side unless outside is locked by inside thumbturn. Turning inside knob/lever or closing door unlocks outside knob/lever. To unlock from outside, remove emergency button (62MS25-030), insert emergency turn (61MS25-020) (furnished) in access hole and rotate.	F22
9021		Privacy With Coin Turn Outside Latchbolt retracted by knob/lever from either side unless outside is locked by inside thumbturn or outside coin turn. Operating inside knob/lever, closing door, rotating inside thumbturn or rotating outside coin turn unlocks outside knob/lever. Specify per 61MS54-020 for Torx screws. Available with rose trim only. (Previously 62MS25-010)	
9030		Passage Latch Latchbolt retracted by knob/lever from either side at all times.	F01
With Deadbolt			
9420		Privacy With Deadbolt Latchbolt retracted by knob/lever from either side. Deadbolt thrown or retracted by inside thumbturn. Throwing deadbolt locks outside knob/lever. Rotating inside knob/lever simultaneously retracts deadbolt and latchbolt, and unlocks outside knob/lever. To unlock from outside, remove emergency button (62MS25-030), insert emergency thumbturn in access hole and rotate. (Previously 61MS25-020)	
9421		Privacy With Deadbolt and Coin Turn Outside Latchbolt retracted by knob/lever from either side. Deadbolt thrown or retracted by inside thumbturn or outside coin turn. Throwing deadbolt locks outside knob/lever. Rotating inside knob/lever simultaneously retracts deadbolt and latchbolt, and unlocks outside knob/lever. Rotating outside coin turn retracts deadbolt and unlocks outside knob/lever. Specify per 61MS54-020 for Torx screws. Available with rose trim only. (Previously 62MS25-010)	

Non-Keyed Dummy

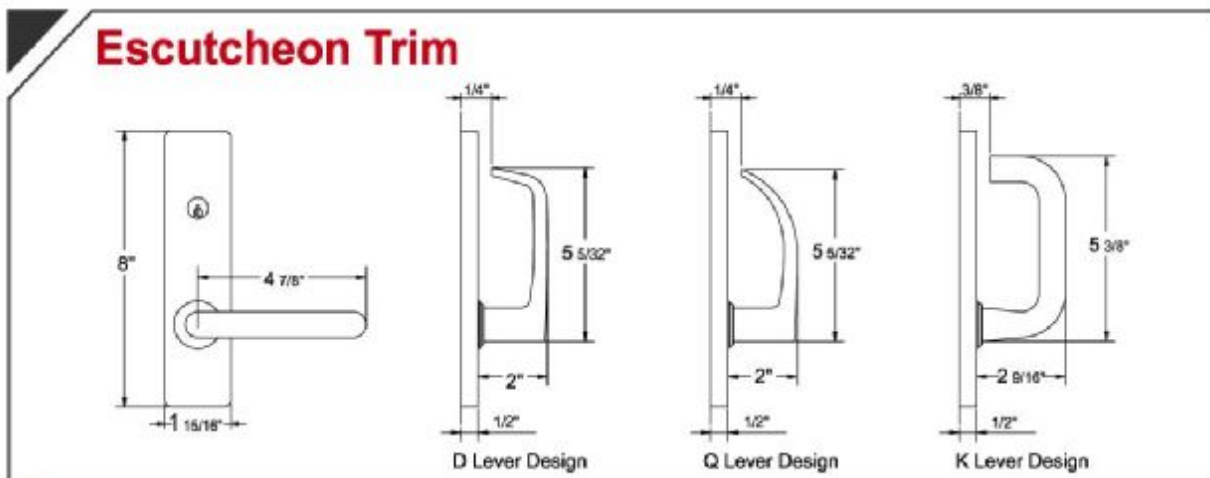
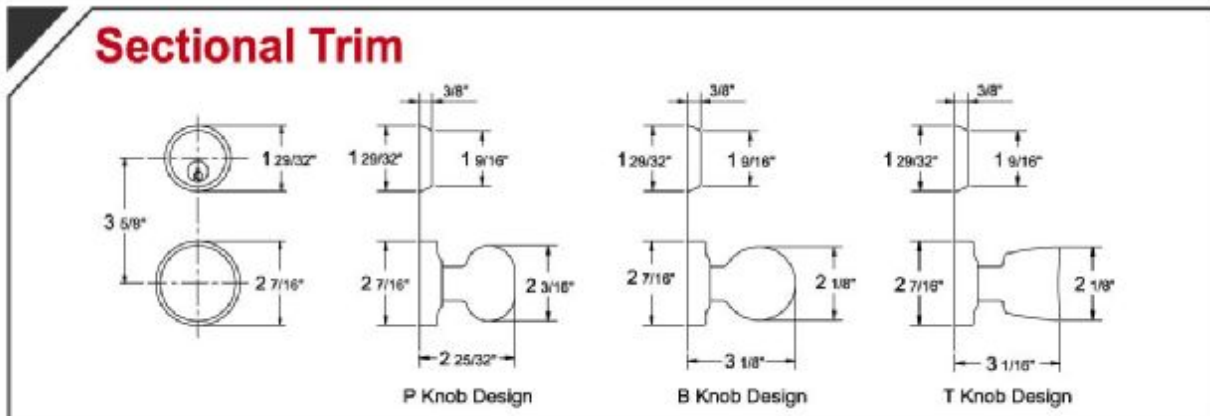
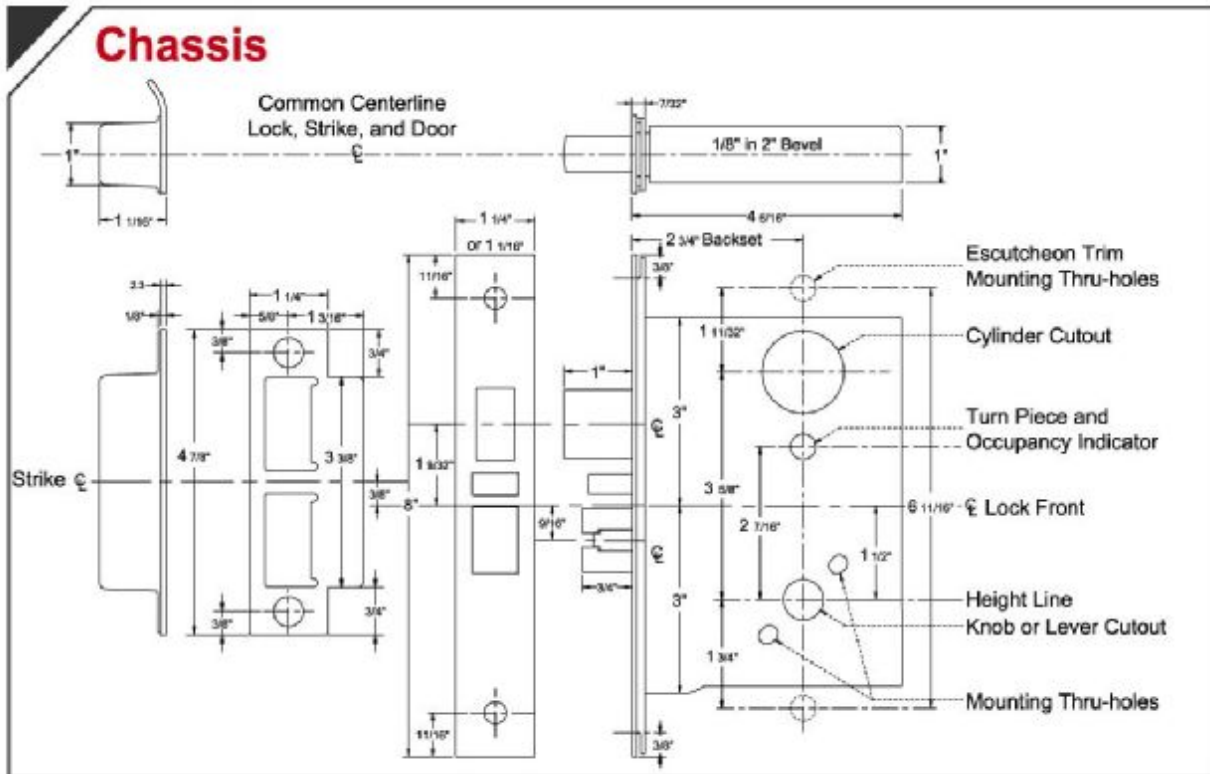
Function Code Number	Illustration	Description	ANSI Number
0140		Single Dummy Trim Knob/lever on one side fixed by mounting bar.	
0142		Double Dummy Trim Knob/lever on both sides fixed by mounting bar.	
9140		Single Dummy w/ Lock Case Knob/lever on one side inoperable. Includes lock case and armor front.	
9142		Double Dummy w/ Lock Case Knob/lever on both sides inoperable. Includes lock case and armor front.	

Keyed Deadlocks

Function Code Number	Illustration	Description	ANSI Number
9460		Cylinder Lock Deadbolt thrown or retracted by key from one side. No trim on opposite side.	F18
9461		Cylinder x Thumbturn Lock Deadbolt thrown or retracted by key outside or thumbturn inside.	F17
9462		Double Cylinder Lock* Deadbolt operated by key from either side.	F16
9463		Classroom Lock Deadbolt thrown or retracted by key from outside. Inside thumbturn cylinder retracts deadbolt but cannot project it.	

***Caution :** Double cylinder locks on residences and any door in any structure which is used for egress are a life safety hazard in times of emergency and their use is not recommended. Installation should be in accordance with existing codes only.

Dimensions



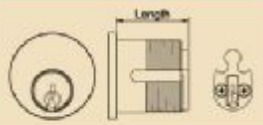
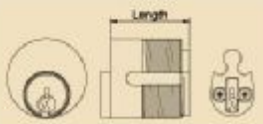
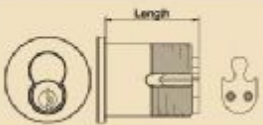
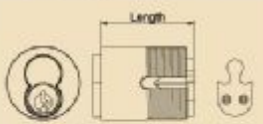
MORTISE CYLINDER

We offer a full and complete line of spacer rings, cylinder guards and spring washers, as well as numerous cams to fulfill the requirements of most applications.

Standard mortise cylinders are furnished as 5 or 6 pin configurations.

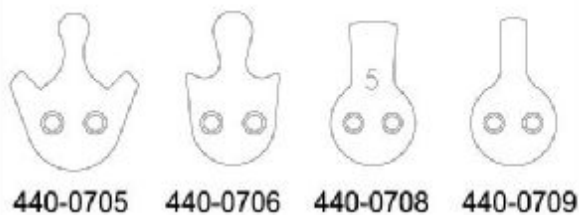
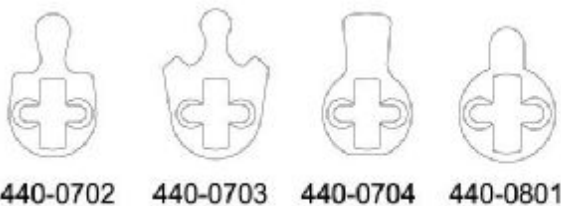
Interchangeable core mortise cylinders are also available in 6 or 7 pin configurations, where increased security is achieved by quick change of keying.

CYLINDER LENGTH VARIATIONS

ILLUSTRATION	FACE	Length						
		1 1/8"	1 1/4"	1 3/8"	1 1/2"	1 5/8"	1 3/4"	1 7/8"
	FULL FACE	441-102	441-103	441-104	441-105	441-106	441-107	441-108
	CONCEALED	441-402	441-403	441-404	441-405	441-406	441-407	441-408
	I/C FULL FACE	N/A	442-601	442-701	442-702	N/A	N/A	N/A
	I/C CONCEALED	N/A	442-801	442-901	442-902	N/A	N/A	N/A

CYLINDER CAMS

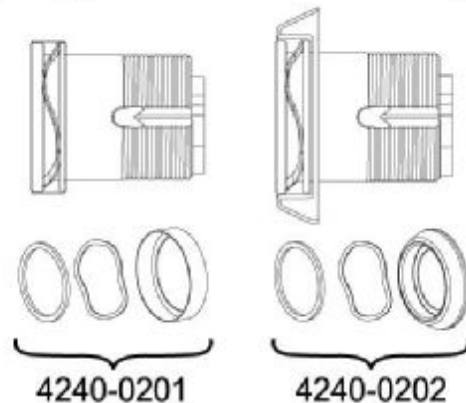
Additional cams are available for our mortise cylinder to operate other manufactures' mortise locks.



CYLINDER GUARDS

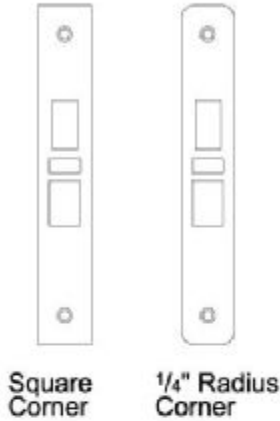
We offer two different types of cylinder guards to work with sectional trim in different door ranges and various cylinder lengths.

Specify part number when ordering.



ARMOR FRONT (FACEPLATES)

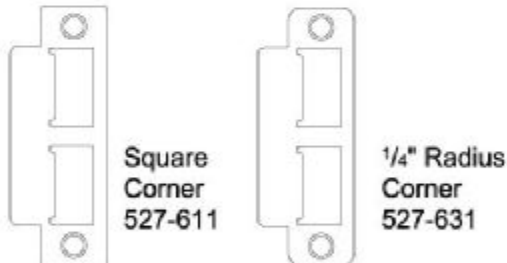
Produced from brass, bronze or stainless steel, available with square corner or 1/4" radius corner. Complete unit supplied with screws. Numbers for ordering separately are listed below.



Square Corner		1/4" Radius Corner		Description
1 1/4" (32mm) Width	1 1/16" (27mm) Width	1 1/4" (32mm) Width	1 1/16" (27mm) Width	
#528-711	#528-731	#528-721	#528-741	Latch x Aux. Latch x Deadbolt
#528-712	#528-732	#528-722	#528-742	Latch x Aux. Latch
#528-713	#528-733	#528-723	#528-743	Latch x Deadbolt
#528-714	#528-734	#528-724	#528-744	Latch
#528-715	#528-735	#528-725	#528-745	Blank
#528-716	#528-736	#528-726	#528-746	Deadbolt

STRIKE

M Series strike is non-handed, produced from brass, bronze or stainless steel. Available with square corner or 1/4" radius corner. Complete unit supplied with strike box and screws. Custom lip lengths at 1/8" (3mm) increments available.

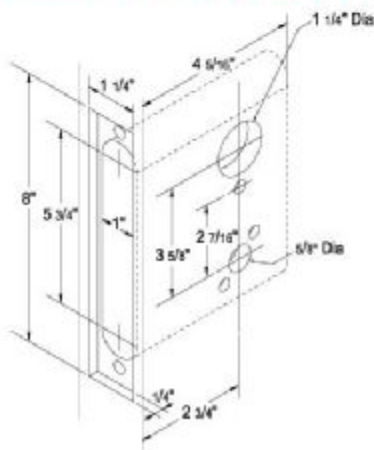


DUST BOX

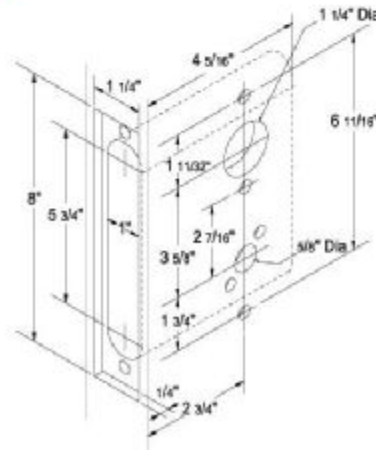
Made of steel, provided at no additional cost.



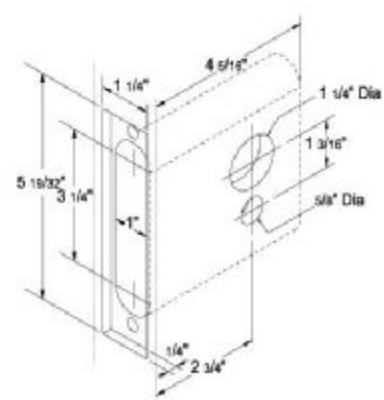
DOOR PREPARATION



MS Model



ME Model



MD Model

MD Series Mortise Dead Lock

SPECIFICATIONS

Certifications	ANSI A156.5, Grade 1, UL Listed for 3-Hour fire rating.
Case	Heavy wrought steel with zinc dichromate finish. 4 5/16" x 3 9/16" x 1" (110 mm x 90 mm x 25 mm).
Deadbolt	1" (25mm) Throw, stainless steel.
Backset	2 3/4" (70mm) only.
Door Range	1 3/8" (35mm) to 2 1/2" (64 mm) Steel door, 1 3/4" (45mm) to 2 1/2" (64mm) wood door.
Beveled Doors	Self-adjusting case.
Strike	1 1/8" (28mm) x 3 1/2" (89mm), no lip, furnished with dust box.
Handing	All functions are reversible.
Cylinder	6-pin cylinder standard, with two nickel silver keys, "C" keyway. Can be masterkeyed or grand masterkeyed, construction key system available.
I/C Core	6 or 7-pin, compatible with Best® and Falcon®.



FUNCTIONS

Function Code Number	Illustration	Description	ANSI Number
MD103		Classroom Lock Deadbolt thrown or retracted by key from outside. Inside thumbturn cylinder retracts deadbolt but cannot project it.	E06091
MD110		Cylinder x Thumbturn Lock Deadbolt thrown or retracted by key outside or thumbturn inside.	E06071
MD112		Double Cylinder Lock* Deadbolt operated by key from either side.	E06061
MD140		Door Bolt Deadbolt thrown or retracted by thumbturn from one side. No trim on opposite side.	E06181
MD150		Cylinder Lock Deadbolt thrown or retracted by key from one side. No trim on opposite side.	E06081

**Caution : Double cylinder locks on residences and any door in any structure which is used for egress are a life safety hazard in times of emergency and their use is not recommended. Installation should be in accordance with existing codes only.*

HOW TO ORDER

M SERIES

Examples: { ME 9000 626 D3 B 1 441-102 528-711 527-611 1
MS 9000 625 B2 - 0 - 528-711 527-611 2

ME	9000	626	D3	B	1	441-102	528-711	527-611	1
MS	9000	625	B2	-	0	-	528-711	527-611	2
Model	Function Code	Finishes	Trim Design	Lever Material	Core	Cylinder Length	Armor Front	Strike	Door Thickness
ME MS	page 6-7	605, 606 611, 612 613, 625 626, 629 630	page 4-5	B: Forged solid brass Z: Pressure zinc cast	0 : Less Cylinder Housing 1 : 6 Pin STD Cyl. 2 : I/C Full Face with Core 3 : I/C Full Face Less Core 4 : I/C Concealed with Core 5 : I/C Concealed Less Core	page 9	page 10	page 10	1 : 1 3/8"~2" 2 : 2"~2 1/2"

MD SERIES Mortise Dead Lock

Example: MD 110 605 1 441-103

MD	110	605	1	441-103
Series	Function Code	Finishes	Core	Cylinder Length
MD	page 11	605, 606 611, 612 613, 625 626, 629 630	0 : Less Cylinder Housing 1 : 6 Pin STD Cyl. 2 : I/C Full Face with Core 3 : I/C Full Face Less Core	page 9

I-Tek Metal Manufacturing Co., Ltd.

Head Office

18 Gungye 3rd Road, Annan, Tainan 709, Taiwan
 Phone 886-6-384-0722
 Fax 886-6-384-0715
 E-mail iteklock@ms8.hinet.net
 Web Site www.iteklock.com.tw

Sales Office

409 North Figueroa Street
 Wilmington, CA 90744
 Phone (310)513-8016
 Fax (310)513-8666
 E-mail iteklock@aol.com