

M Series

Anti-ligature Solutions



www.iteklock.com.tw



I-TEK[®]

Headquarters and Operation Office:

I-TEK Metal Manufacturing Co., Ltd. 18 Gungye
3rd Road, Annan, Tainan 709, Taiwan.

T 886 6 3840722

F 886 6 3840715

E sd@iteklock.com.tw

U.S. Regional Office:

I-TEK Metal Manufacturing Inc., 409 North
Figueroa Street, Wilmington, CA 90744

T (310) 513-8016

F (310) 513-8620

E iteklock@aol.com
iteklockus@gmail.com

copyright © 2014 I-TEK Metal Manufacturing. All rights reserved.
Subject to change without notice. 201408

I-TEK[®]

Contents

- About I-TEK **1**
- Features **5**
- Trim Options **6**
- Functions **7**
- Miscellaneous **9**
- How to Order **11**

ANSI Grade 1
Heavy Duty **M** Series

Anti-ligature Solutions



About I-TEK

Since its establishment in 1958, I-TEK has continually adopted a proactive approach toward manufacturing extensive varieties of locksets and architectural hardware, insisting on providing the best quality products and services that our customers deserve. With more than 50 years of manufacturing experience, our excellent product design capability and our professionalism in the lock industry, I-TEK is well known for being "keen on quality, with customer satisfaction being our priority", gaining us our customers' trust and confidence for many years. At present, I-TEK is one of the few professional lock suppliers that can produce Grade 1 and Grade 2 door locks in Asia.

Quality assurance

The M Series Anti-ligature Solutions are produced by I-TEK Metal Mfg Co. in Taiwan under ISO 9001 quality management, which is system certified by Underwriter Laboratories. I-TEK's test facility complies with ISO17025 and it is certified by Intertek under a continuous re-inspection program.



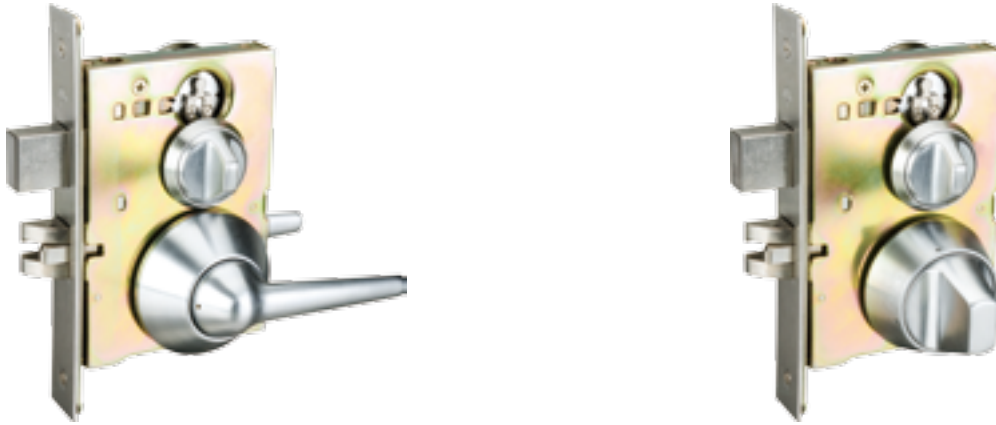
The M Series Anti-Ligature Solutions - a lock doing what it supposed to do: providing a harm-free environment.



Features

Through meticulous design and testing, I-TEK's Anti-ligature Solutions provide the perfect hardware to prevent ligature attachment and self-harm, ensuring a safe environment such as detention centers, hospitals or mental health centers.

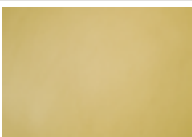
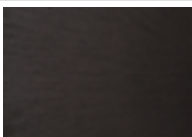






Complying with ANSI/BHMA A156.13 testing standard requirements, the lever handle design includes a clutch function, increasing the lock's durability as well as the overall safety.



Certification	<ul style="list-style-type: none"> • ANSI/BHMA A156.13 Series 1000, Grade 1 operational and security. • UL Listed for 3-Hour Fire rating.
Backset	<ul style="list-style-type: none"> • 2-3/4" (70mm) only.
Door Preparation	<ul style="list-style-type: none"> • Conforms to ANSI A115.1.
Door Range	<ul style="list-style-type: none"> • 1-3/8" (35mm) to 2-1/2" (64mm).
Spacing	<ul style="list-style-type: none"> • 3-5/8" (92mm) Center cylinder to spindle. • 2-7/16" (62mm) Center thumbturn to spindle.
Deadbolt	<ul style="list-style-type: none"> • 1" (25mm) Throw, Stainless Steel.
Latchbolt	<ul style="list-style-type: none"> • 3/4" (19mm) Throw, with anti-friction tongue. All Stainless Steel.
Case Size	<ul style="list-style-type: none"> • 4-5/16" x 6" x 1" (110mm x 152mm x 25mm).
Armor front	<ul style="list-style-type: none"> • 1-1/4" x 8" x 7/32" (32mm x 203mm x 5mm).

Finishes

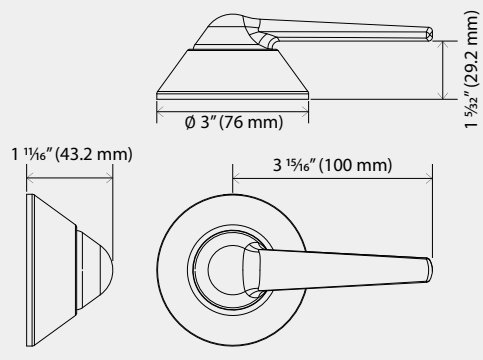
A wide selection of finishes are available to match with your door and other hardware.

Color	ANSI/BHMA	Color	ANSI/BHMA
	Polished Brass 605		Dark Oxidized Satin Bronze 613
	Satin Brass 606		Polished Chrome 625
	Polished Bronze 611		Satin Chrome 626
	Satin Bronze 612		Satin Stainless Steel 630

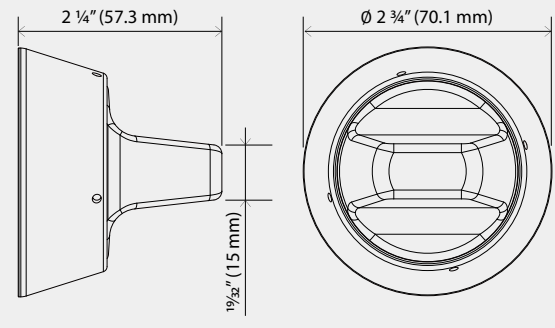
Trim Options

Made of brass or stainless steel, these trims are designed with elegance. The sloped profile prevents ligature attachment on the horizontal surface. Lever or knob handle options are available in standard or clutch (free turning) functions.

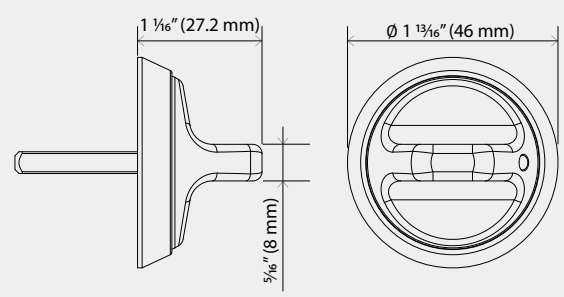
ALT Lever



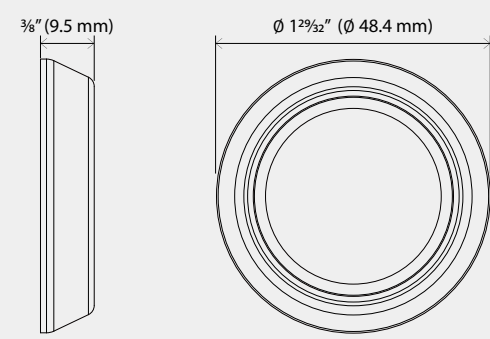
ALTB Knob



Turn



Cylinder Guard



Functions

Function Code Number	Description	ANSI/BHMA
Without Deadbolt		
9003	<p>Lockable Patient Room</p> <ul style="list-style-type: none"> Latchbolt retracted by knob/lever from either side unless outside is locked by key. Unlocked from outside by key. Inside knob/lever always free for immediate exit. Auxiliary latch deadlocks Latchbolt when door is closed. 	F05
	<p>Keyed Entry</p> <ul style="list-style-type: none"> Latchbolt retracted by key outside or by knob/lever inside. Outside knob/lever always inoperative. Auxiliary latch deadlocks Latchbolt when door is closed. Inside knob/lever always free for immediate exit. 	F07
9009*	<p>Asylum Double Cylinder</p> <ul style="list-style-type: none"> Latchbolt retracted by key on either side. Knob/lever on both sides always inoperative. Auxiliary latch deadlocks Latchbolt when door is closed. 	F30
	<p>Lockable Double Cylinder</p> <ul style="list-style-type: none"> Latchbolt retracted by knob/lever from either side unless locked by key from either side. When locked, Latchbolt is retracted by key outside or knob/lever inside. Inside knob/lever always free for immediate exit. Auxiliary latch deadlocks Latchbolt when door is closed. 	F30
9020	<p>Bathroom/Privacy</p> <ul style="list-style-type: none"> Latchbolt retracted by knob/lever from either side unless outside is locked by inside thumbturn. Turning inside knob/lever or closing door unlocks outside knob/lever. To unlock from outside, remove emergency button (615617-010), insert emergency key (615625-060 furnished) in access hole and turn. 	F22
	<p>Office/Privacy</p> <ul style="list-style-type: none"> Latchbolt retracted by knob/lever from either side unless outside is locked by inside thumbturn. When locked, Latchbolt is retracted by key outside or knob/lever inside. Inside knob/lever always free for immediate exit. Auxiliary latch deadlocks Latchbolt when door is closed. 	F26
9030	<p>Passage</p> <ul style="list-style-type: none"> Latchbolt retracted by knob/lever from either side at all times. 	F01

Function Code Number	Description	ANSI/BHMA
With Deadbolt		
9408	<p>Deadbolt</p> <ul style="list-style-type: none"> Latchbolt retracted by knob/lever from either side. Deadbolt thrown or retracted by key outside or inside thumbturn. Throwing deadbolt locks outside knob/lever. Turning inside knob/lever simultaneously retracts deadbolt and Latchbolt and unlocks outside knob/lever. 	F13
	<p>Keyed Only Deadbolt & Latch</p> <ul style="list-style-type: none"> Latchbolt retracted by key from either side. Knob/lever on both sides always fixed. Deadbolt thrown or retracted by key from either side. Auxiliary latch deadlocks Latchbolt when door is closed. 	
9413	<p>Deadbolt Double Cylinder</p> <ul style="list-style-type: none"> Latchbolt retracted by knob/lever from either side. Deadbolt thrown or retracted by key from either side. Throwing deadbolt locks outside knob/lever. Turning inside knob/lever simultaneously retracts deadbolt and Latchbolt and unlocks outside knob/lever. Inside knob/lever always free for immediate exit. 	F33
	<p>Asylum with deadbolt</p> <ul style="list-style-type: none"> Latchbolt retracted by key outside or by knob/lever inside. Deadbolt thrown or retracted by key outside. Turning inside knob/lever simultaneously retracts deadbolt and Latchbolt. Auxiliary latch deadlocks Latchbolt when door is closed. 	

*Caution : Double cylinder locks on residences and any door in any structure which is used for egress are a life safety hazard in times of emergency and their use is not recommended. Installation should be in accordance with existing codes only.

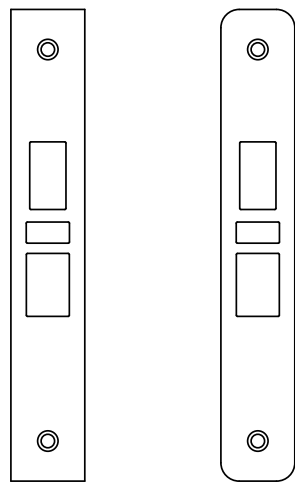
Miscellaneous

Cylinder

Illustration	Face	Length						
		1-1/8"	1-1/4"	1-3/8"	1-1/2"	1-5/8"	1-3/4"	1-7/8"
	Full-face Standard	441-102	441-103	441-104	441-105	441-106	441-107	441-108
	Full-face I/C Core	N/A	442-601	442-701	442-702	N/A	N/A	N/A

Armor front (Faceplates)

Made of brass, bronze or stainless steel, available with square corner or 1/4" radius corner. Complete unit of armor front supplied with screws. Ordering info for ordering the armor front separately are listed below.

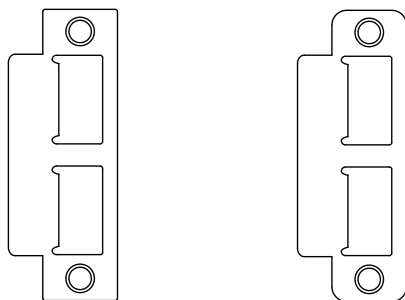


Square Corner

1/4" Radius Corner

	Square Corner		1/4" Radius Corner		Description
	1-1/4" (32mm) Width	1-1/16" (27mm) Width	1-1/4" (32mm) Width	1-1/16" (27mm) Width	
#528-711	#528-731	#528-721	#528-741	Latch x Aux. Latch x Deadbolt	
#528-712	#528-732	#528-722	#528-742	Latch x Aux. Latch	
#528-713	#528-733	#528-723	#528-743	Latch x Deadbolt	
#528-714	#528-734	#528-724	#528-744	Latch	
#528-715	#528-735	#528-725	#528-745	Blank	
#528-716	#528-736	#528-726	#528-746	Deadbolt	

Strikes



Square Corner
527-611

1/4" Radius Corner
527-631

Non-handed, made of brass, bronze or stainless steel. Available with square corner or 1/4" radius corner.

Complete strike unit supplied with strike box and screws. Custom lip lengths at 1/8" (3mm) increments available.



How to Order

Device	Ordering Example								
	MS	9409	630	ACALT	1	441-102	1	527-611	1
Model	MS								
Function Code (see page 7)									
Finish	605 (US3) 611 (US9) 613 (US10B) 626 (US26D) 606 (US4) 612 (US10) 625 (US26) 630 (US32D)								
Trim Design (see page 6)	ALT Lever ALTB Knob Prefix AC Anti-microbial coating								
Core	0 Less Cylinder Housing 2 1/2 C Full Face with Core 1 6 Pin STD Cyl. 3 1/2 C Full Face Less Core								
Cylinder Length (see page 9)									
Armor front (see page 9)	1 1-1/4" Square Corner 3 1-1/4" Radius Corner 2 1-1/16" Square Corner 4 1-1/16" Radius Corner								
Strikes (see page 9)	527-611 Square Corner 527-631 Radius Corner								
Door Thickness	1 1-3/8"~2" 2 2"~2-1/2"								

Warranty

I-TEK warrants to the original purchaser that all products manufactured and provided by it shall be free of defects in material and workmanship regarding Mechanical Locks (5 years), Electrified Products (1 year) and finishes (1 year). The present warranty does not cover scratches, abrasions, deterioration due to the use of paints, solvents and other chemicals, normal wear and tear, abuse or any damage caused by improper installation or misuse of the product. Furthermore, the cost incurred in removing and installing a replacement product is not included in the warranty. Upon return of a defective product, I-TEK may repair or replace the product.

Any retrofit or other field modification to a fire-rated opening can potentially impact the fire rating of the opening, and I-TEK Metal Manufacturing Company makes no representations or warranties concerning what such impact may be in any specific situation. When retrofitting any portion of an existing fire rated opening, or specifying and installing a new fire-rated opening, please consult with a code specialist or local code official (Authority having jurisdiction) to ensure compliance with all applicable codes and ratings.

Note:

- Warranty is not applied for devices installed in educational facilities and student dormitories.
- The warranty becomes effective from the date of shipment.